



Andon.com

120VAC CONTINUOUS



LED Tower Light, R/G
Part #: LD-5212-100
Weight: 2.00 Price: \$85.00
Voltage: 120VAC
Operation: Continuous
This pricing includes:
3.5" pole and mounting bracket



LED Tower Light, R/Y/G
Part #: LD-5213-100
Weight: 2.00 Price: \$97.00
Voltage: 120VAC
Operation: Continuous
This pricing includes:
3.5" pole and mounting bracket



LED Tower Light, R/Y/G/B
Part #: LD-5214-100
Weight: 2.00 Price: \$130.00
Voltage: 120VAC
Operation: Continuous
This pricing includes:
3.5" pole and mounting bracket

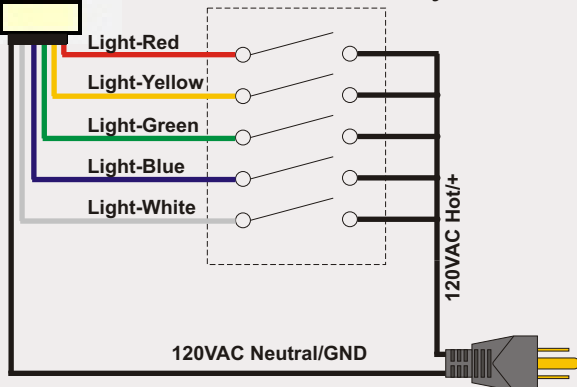


LED Tower Light, R/Y/G/B/W
Part #: LD-5215-100
Weight: 2.00 Price: \$150.00
Voltage: 120VAC
Operation: Continuous
This pricing includes:
3.5" pole and mounting bracket



Wire Color	Wire Purpose
Red	Actuate Red Light
Yellow	Actuate Yellow Light
Green	Actuate Green Light
Blue	Actuate Blue Light
White	Actuate White Light
Black	AC/DC Power Wire

Continuous Duty



SPARE PARTS

- LED Replacement Bulb
Weight: 1.00 Price: \$9.95
Voltage: 120VAC
- RED Part#: LD-2782-112
- YELLOW Part#: LD-2782-114
- GREEN Part#: LD-2782-115
- BLUE Part#: LD-2782-116
- WHITE Part#: LD-2782-119



- 3.5 inch Light Mounting Pole
Part #: HE-2782-032
Weight: 1.00 Price: \$3.00



- 10 inch Light Mounting Pole
Part #: HE-2782-100
Weight: 1.00 Price: \$3.00

- Angle Light Wall Mount Bracket
Part #: LD-5200-100
Weight: 1.00 Price: \$4.95



www.ledandon.com
614.851.1100

American LED-gible Inc.

1776 Lone Eagle Street Columbus, Ohio 43228
Phone: 614-851-1100 Fax: 614-851-1121

