



LED Tower Light, R/G  
 Part #: LD-5222-100  
 Weight: 2.00 Price: \$85.00  
 Voltage: 24VAC/VDC  
 Operation: Continuous  
 This pricing includes:  
 3.5" pole and mounting bracket



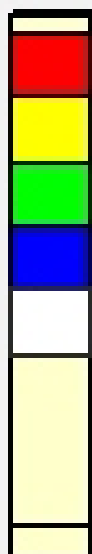
LED Tower Light, R/Y/G  
 Part #: LD-5223-100  
 Weight: 2.00 Price: \$97.00  
 Voltage: 24VAC/VDC  
 Operation: Continuous  
 This pricing includes:  
 3.5" pole and mounting bracket



LED Tower Light, R/Y/G/B  
 Part #: LD-5224-100  
 Weight: 2.00 Price: \$130.00  
 Voltage: 24VAC/VDC  
 Operation: Continuous  
 This pricing includes:  
 3.5" pole and mounting bracket

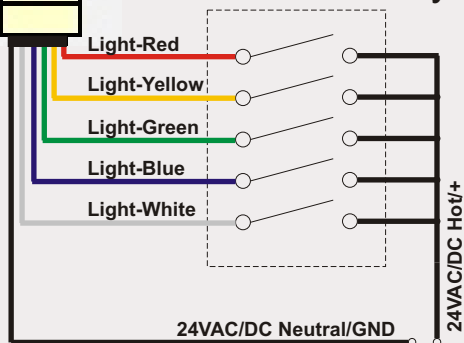


LED Tower Light, R/Y/G/B/W  
 Part #: LD-5225-100  
 Weight: 2.00 Price: \$150.00  
 Voltage: 24VAC/VDC  
 Operation: Continuous  
 This pricing includes:  
 3.5" pole and mounting bracket



Wire Color	Wire Purpose
Red	Actuate Red Light
Yellow	Actuate Yellow Light
Green	Actuate Green Light
Blue	Actuate Blue Light
White	Actuate White Light
Black	AC/DC Power Wire

### Continuous Duty



### SPARE PARTS

- LED Replacement Bulb  
 Weight: 1.00 Price: \$9.95  
 Voltage: 24VAC/VDC
  - RED Part#: LD-2782-102
  - YELLOW Part#: LD-2782-104
  - GREEN Part#: LD-2782-105
  - BLUE Part#: LD-2782-106
  - WHITE Part#: LD-2782-109
- 
- 
- 3.5 inch Light Mounting Pole  
 Part #: HE-2782-032  
 Weight: 1.00 Price: \$3.00
  - 10 inch Light Mounting Pole  
 Part #: HE-2782-100  
 Weight: 1.00 Price: \$3.00
- 
- 
- Angle Light Wall Mount Bracket  
 Part #: LD-5200-100  
 Weight: 1.00 Price: \$4.95
- 

**www.ledandon.com**  
**614.851.1100**

**American LED-gible Inc.**  
 1776 Lone Eagle Street Columbus, Ohio 43228  
 Phone: 614-851-1100 Fax: 614-851-1121

